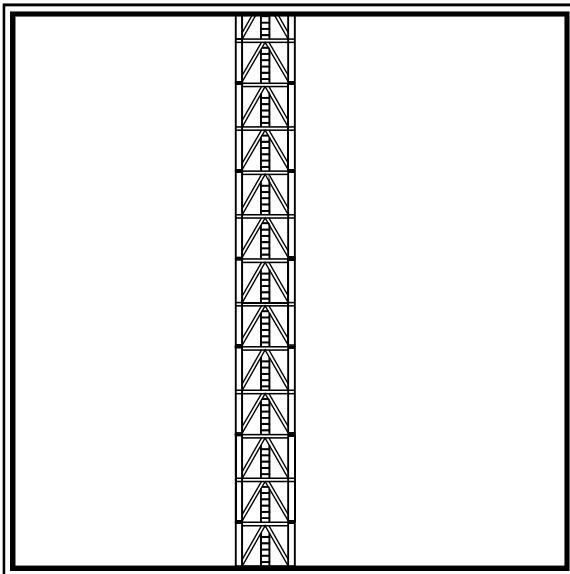


MK440 CONSTRUCTION TOWER CRANE



Technical Data Sheet

F/ELLE
F/AVCO

A subsidiary of Favelle Favco Berhad

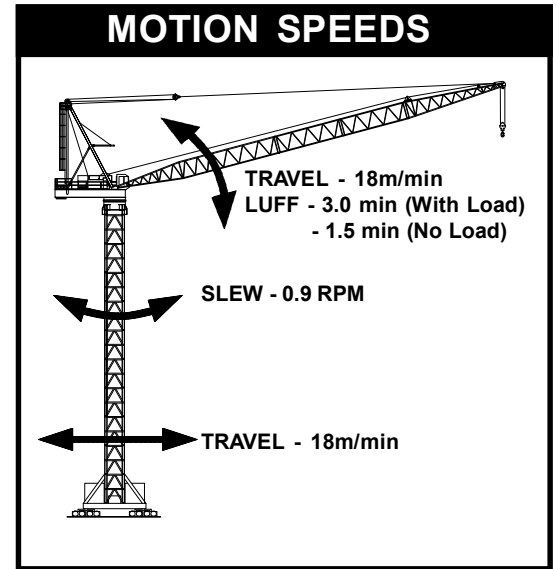
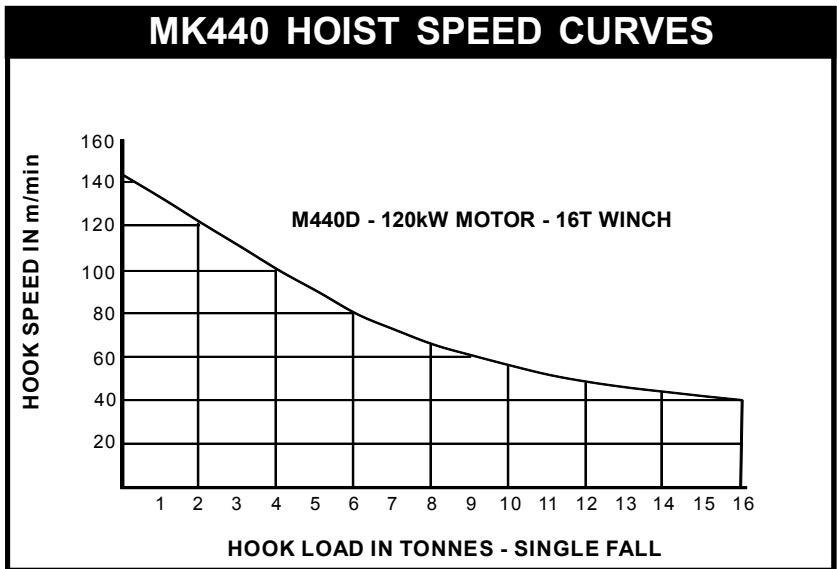
Radius & Capacity

BOOM LENGTH (m)	MIN. RADIUS (m)	MAX. RADIUS FOR 50T	RADIUS (METRES) & CAPACITY (TONNES) (25 TONNE & 16 TONNE WINCHES & 2-FALL HOOK)																			
			10.0	15.0	20.0	25.0	30.0	32.5	35.0	37.5	40.0	42.5	45.0	47.5	50.0	52.5	55.0	57.5	60.0	62.5	65.0	
			(m)	(m)	(m)	(m)	(m)	(m)	(m)	(m)	(m)	(m)	(m)	(m)	(m)	(m)	(m)	(m)	(m)	(m)	(m)	(m)
68.8	6.0	-	25.0	22.5	19.5	17.2	15.0	13.7	12.6	11.3	10.2	9.2	8.3	7.6	6.9	6.1	5.5	4.9	4.3	3.6	2.7	
64.2	5.3	-	30.6	26.3	23.0	20.0	16.9	15.2	13.6	12.4	11.2	10.2	9.3	8.4	7.6	6.9	6.3	5.7	4.8			
59.6	5.0	-	32.0	29.8	25.8	21.7	17.5	15.8	14.2	12.9	11.8	10.7	9.7	8.8	8.0	7.3	6.6					
55.0	4.4	-	44.0	41.0	29.8	22.8	18.1	16.3	14.6	13.2	12.0	11.0	10.0	9.3	8.5	8.0						
50.4	4.2	12.0	50.0	42.0	30.2	23.0	18.3	16.6	14.9	13.6	12.4	11.4	10.4	9.5								
45.8	3.9	13.0	50.0	42.3	30.6	23.5	18.7	17.0	15.4	14.1	12.8	11.7										
41.2	3.7	13.2	50.0	42.8	30.7	23.8	19.0	17.3	15.6	14.2	13.1											
36.6	3.3	13.3	50.0	43.3	30.8	24.0	19.4	17.7	16.1													
32.0	3.0	13.3	50.0	43.5	31.3	24.2	19.5															

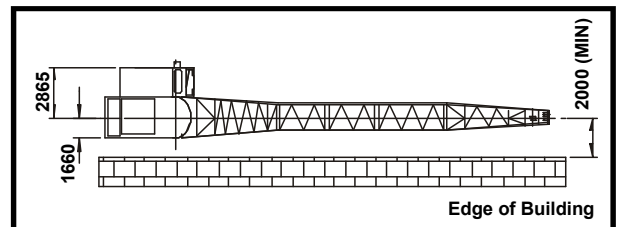
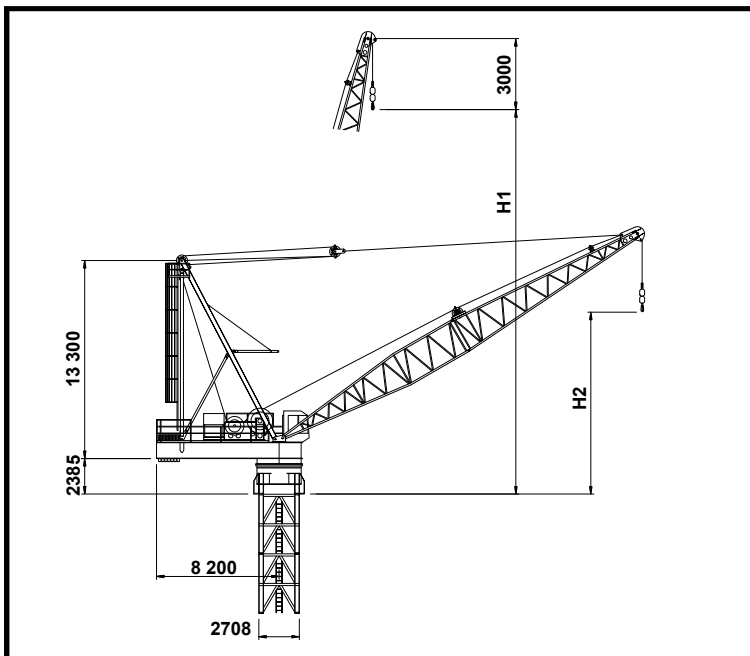
POWER SUPPLY
 NORMAL - 254 kVA
 MAIN FUSE - 250 A

Speeds

(Alternative Speed Configurations Available on Request)

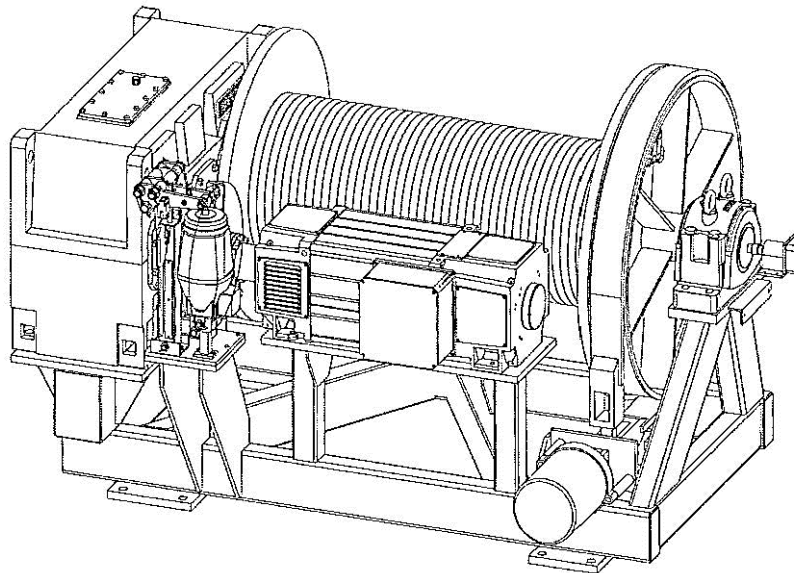


Dimensions

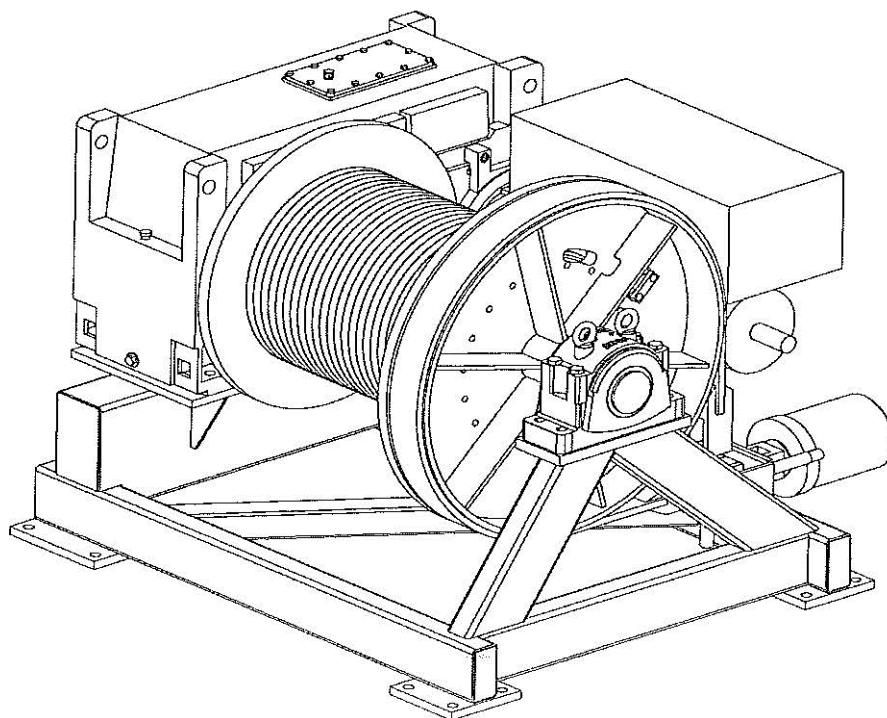


MAXIMUM RADIUS (m)	BOOM LENGTH (m)	HOOK HEIGHT	
		H1 (m)	H2 (m)
65.0	68.8	68.6	18.6
60.0	64.2	64.0	17.5
55.0	59.6	59.4	16.3
52.5	55.0	54.8	15.2
47.5	50.4	50.2	14.1
42.5	45.8	45.6	12.1
40.0	41.2	41.0	11.5
35.0	36.6	36.4	9.5
30.0	32.0	31.8	8.7

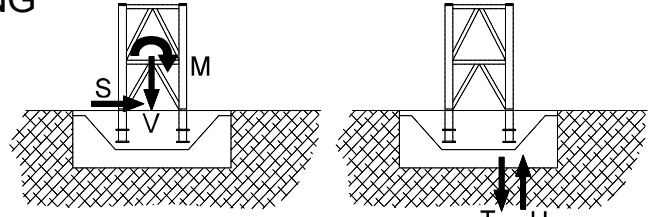
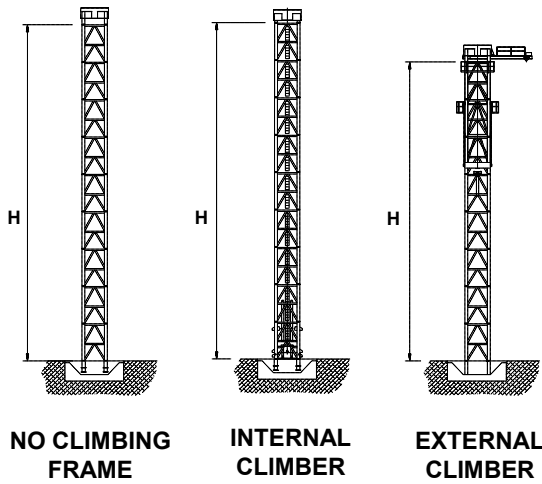
16T HOIST WINCH



16T LUFF WINCH



CRANE ON BASE - FREE STANDING



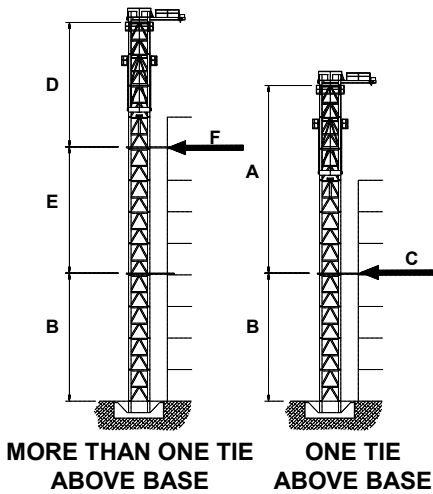
MAXIMUM VALUES AT ONE CORNER

FREESTANDING TOWER HEIGHTS AND FOUNDATION REACTIONS

TOWER	NO CLIMBING FRAME			INTERNAL CLIMBING FRAME			EXTERNAL CLIMBING FRAME			UNITS
	441	442	392	441	442	392	441	442	392	
H	40	48	40	40	48	40	36	44	36	(m)
M	885	1122	877	885	1122	877	930	1191	923	(mT)
V	176	188	178	191	203	193	187	199	189	(T)
S	26	29	25	26	29	25	29	33	29	(T)
T	301	369	341	305	373	345	312	392	351	(T)
U	225	292	261	222	288	257	236	310	273	(T)

In-service wind speeds up to 20 m/s & out-of-service wind speeds up to 42 m/s. Alternatives available upon request. For long (>55m) booms, heights shown are only attainable with extra counterweight.

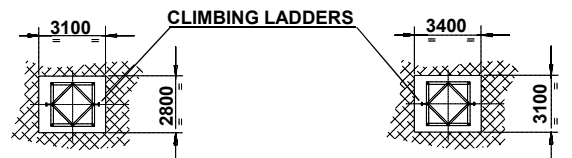
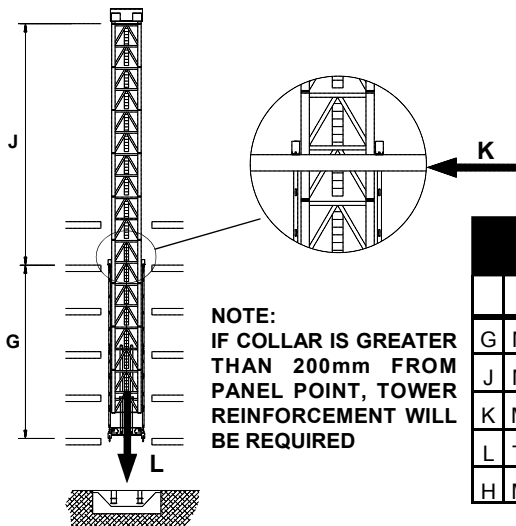
EXTERNAL CLIMBING



EXTERNAL CLIMBING

TOWER TYPES:		441	442	392	UNITS
ONE TIE ABOVE BASE					
A	MAX. HEIGHT ABOVE FIRST TIE	32	40	32	(m)
B	MIN HEIGHT TO FIRST TIE	16	20	20	(m)
C	MAX. HORIZONTAL TIE LOAD	104	111	88	(T)
MORE THAN ONE TIE BASE					
D	MAX. HEIGHT ABOVE TOP TIE	32	40	32	(m)
E	MIN HEIGHT BETWEEN TOP TIES	16	20	16	(m)
F	MAX. HORIZONTAL TIE LOAD	93	99	92	(T)

INTERNAL LADDER CLIMBING

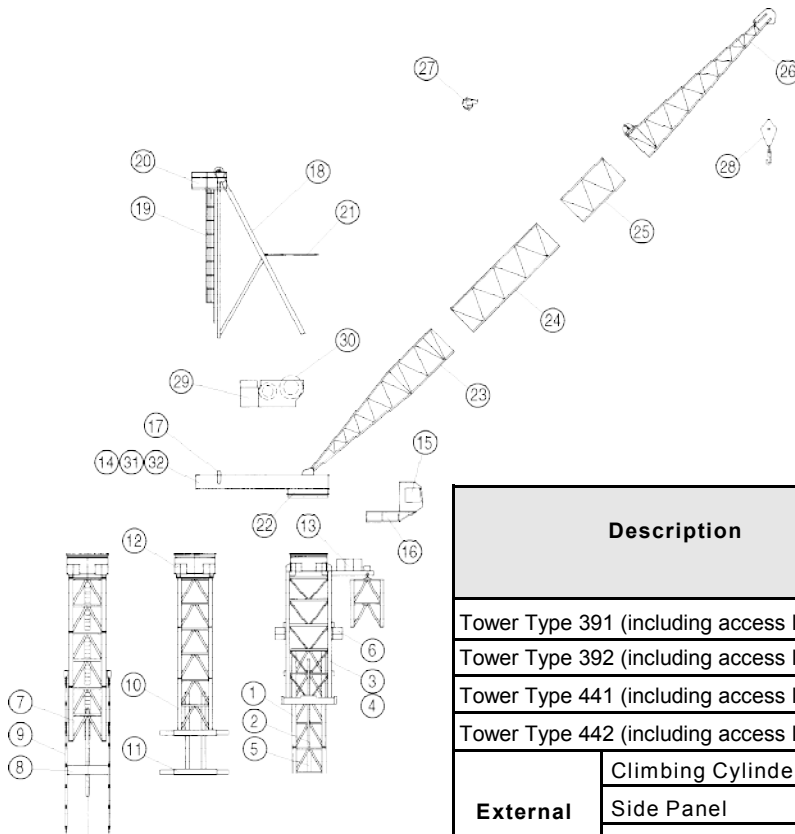


TYPE 391/392 CLIMBING DETAILS

TYPE 441/442 CLIMBING DETAILS

INTERNAL LADDER CLIMBING

TOWER TYPES		391	392	441	442	UNITS
G	MIN. DISTANCE BETWEEN COLLARS	10.5	12	12	12	(m)
J	MAX. DISTANCE ABOVE TOP TIE	33.5	28	28	36	(m)
K	MAXIMUM HORIZONTAL LOAD	98.0	71	71	90	(T)
L	TOTAL VERTICAL LOAD	156.0	193	191	203	(T)
H	MAX. FREESTANDING HEIGHT	44.0	40	40	48	(m)



INTERNAL CLIMBING (LADDER) **INTERNAL CLIMBING (3-BEAM)** **EXTERNAL CLIMBING**



FAVELLE FAVCO CRANES (M) SDN BHD

Lot 42, Persiaran Bunga Tanjung 2,
Senawang Industrial Park,
Seremban, 70450, Negeri Sembilan
Malaysia
Tel: 606 676 8866
Fax: 606 676 8888

FAVELLE FAVCO CRANES PTE LTD

30 Mandai Estate
#02-05 Mandai Industrial Building
Singapore
Tel: 65 6366 3508
Fax: 65 6366 3503

FAVELLE FAVCO CRANES PTY LTD

28 Yarrunga Street Prestons
NSW 2170 Australia
P.O. Box 456 Liverpool BC
NSW 1871 Australia
Telephone: 61 2 9608 2000
Fax: 61 2 9607 0022, 61 2 9607 2728
E - MAIL : favcosyd@favellefavco.com.au

Description		Pos	Qty	L Length (m)	W Width (m)	H Height (m)	Weight per item (kg)
Tower Type 391 (including access ladders)		1	-	4.000	2.404	2.397	4000
Tower Type 392 (including access ladders)		1	-	4.000	2.411	2.399	4900
Tower Type 441 (including access ladders)		1	-	4.000	2.721	2.709	4400
Tower Type 442 (including access ladders)		1	-	4.000	2.720	2.710	4400
External Climber	Climbing Cylinder	2	2	5.030	0.292	0.292	1500
	Side Panel	3	2	11.520	0.370	2.740	4973
	Tie	4	2	7.020	0.168	3.410	907
	Climbing Support	5	2	2.650	0.335	0.800	332
	Access Platform	6	1	3.550	1.073	1.235	199
Internal Ladder Climber	Bottom Climbing Tower (inc Cylinders)	7	1	4.000	2.720	2.710	14765
	Climbing Foot	8	1	2.708	0.350	0.880	1359
	Climbing Ladder	9	?	0.210	0.170	7.985	525
3 - Beam Climber	Bottom Climbing Tower	10	1	2.090	2.700	4.575	8509
	Climbing Beams	11	1	0.450	2.700	0.802	1630
Slew Mount		12	1	3.410	3.310	1.820	5280
Monorail Beam & Trolley		13	1	7.430	1.680	1.400	1695
Machinery Deck		14	1	9.875	3.330	1.592	13045
Cabin		15	1	1.700	1.100	2.100	1200
Cabin Support		16	1	3.790	1.440	1.500	396
Counter-weights		17	7	2.260	0.200	2.100	5629
Mast & Sheaves		18	1	14.000	0.800	3.220	5765
Mast Ladder		19	1	11.220	0.975	0.800	305
Mast Platform		20	1	2.475	1.450	0.940	208
Boom Buffer		21	1	3.515	0.228	2.810	271
Slew Ring		22	1	3.100	3.100	0.175	1950
Bottom Jib Section		23	1	13.700	3.040	2.414	2018
Jib Extension Section		24	1	9.200	2.414	2.414	1358
Jib Extension Section		25	1	4.600	2.414	2.414	804
Top Jib Section		26	1	13.533	3.106	2.414	2681
Bridle		27	1	0.750	1.170	0.890	785
2 - Fall Hook		28	1	0.890	0.332	1.940	1141
Hoist Winch - 16T		29	1	2.500	1.400	1.600	6441
Luff Winch - 16T		29	1	2.000	1.650	1.650	5561
Hoist Rope		30	1	565.000	-	-	4343
Split Deck - Front		31	1	3.560	3.330	1.592	6000
Split Deck - Back		32	1	6.590	3.330	1.189	8900

Distributed By:

