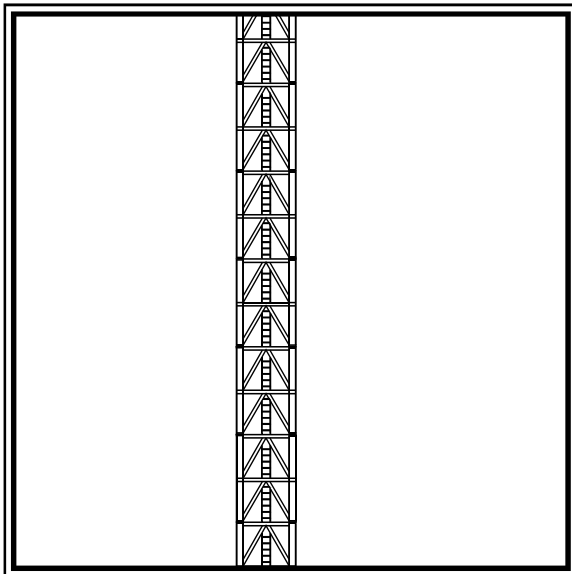


MK380 CONSTRUCTION TOWER CRANE



Technical Data Sheet

**F/ELLE
FAVCO**

A subsidiary of Favelle Favco Berhad

RADIUS & CAPACITY

BOOM LENGTH (m)	MINIMUM RADIUS (m)	MAX RADIUS FOR 32 T (m)	RADIUS (METRES) & CAPACITY (TONNES) (16 TONNE & 12 TONNE WINCHES & 2 - FALL HOOK)																			
			5.2 (m)	10.0 (m)	15.0 (m)	17.5 (m)	20.0 (m)	25.0 (m)	27.5 (m)	30.0 (m)	32.5 (m)	35.0 (m)	37.5 (m)	40.0 (m)	42.5 (m)	45.0 (m)	47.5 (m)	50.0 (m)	52.5 (m)	55.0 (m)	57.5 (m)	60.0 (m)
64.2	5.2	-	23.5	20.0	17.0	16.0	14.8	13.2	12.8	12.2	11.0	9.7	9.0	7.8	7.0	6.3	5.8	5.1	4.4	4.1	3.8	3.4
59.6	4.8	4.8	31.3	23.8	20.0	18.8	17.0	16.0	14.0	12.6	11.0	10.1	9.0	8.2	7.0	6.7	6.0	5.5	5.0	4.5		
55.0	4.5	6.0	32.0	28.0	23.3	21.8	20.0	16.3	14.4	12.9	11.8	10.3	9.2	8.5	7.8	7.0	6.2	5.9	5.4			
50.4	4.1	10.0	32.0	32.0	27.0	25.0	21.8	16.6	15.0	13.2	12.0	10.7	9.8	8.8	8.0	7.3	6.7					
45.8	3.8	14.3	32.0	32.0	30.3	26.0	22.1	17.0	15.0	13.6	12.7	11.0	10.0	9.2	8.2							
41.2	3.5	14.4	32.0	32.0	30.6	26.8	22.4	17.2	15.2	13.9	12.5	11.4	10.3									
36.6	3.2	14.5	32.0	32.0	31.0	26.8	22.8	17.6	16.0	14.2	13.0	11.7										
32.0	3.0	14.6	32.0	32.0	31.3	27.2	22.9	17.8	16.0	14.4												
27.4	2.6	14.8	32.0	32.0	31.5	27.8	23.5	18.3														

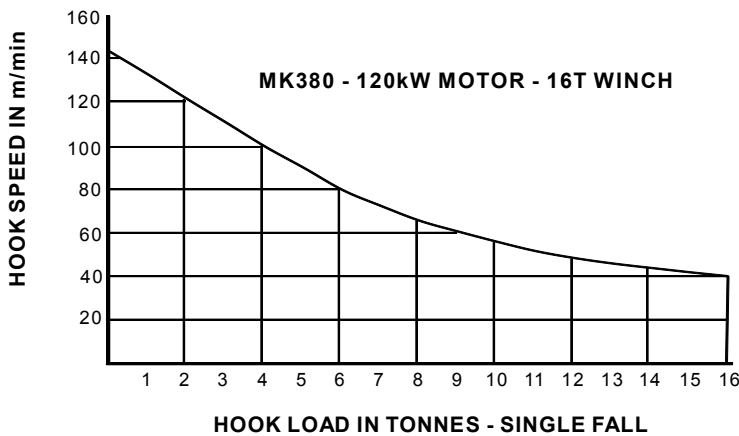
POWER SUPPLY

NORMAL - 254 KVA
MAIN FUSE - 250 A

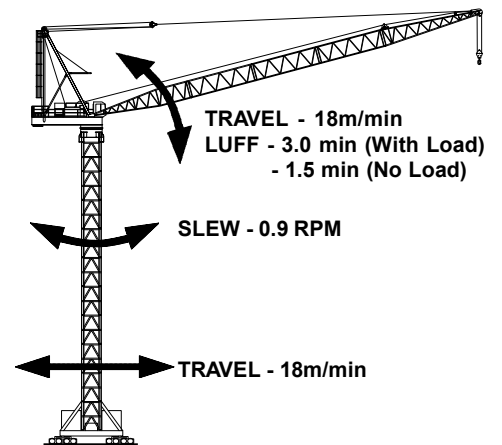
SPEEDS

(Alternative Speed Configurations Available on Request)

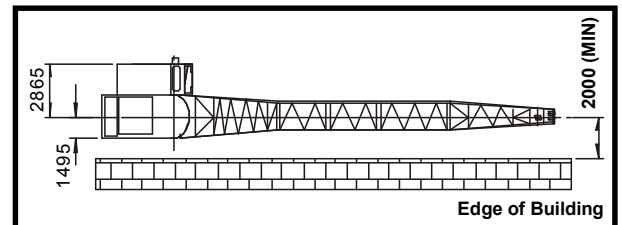
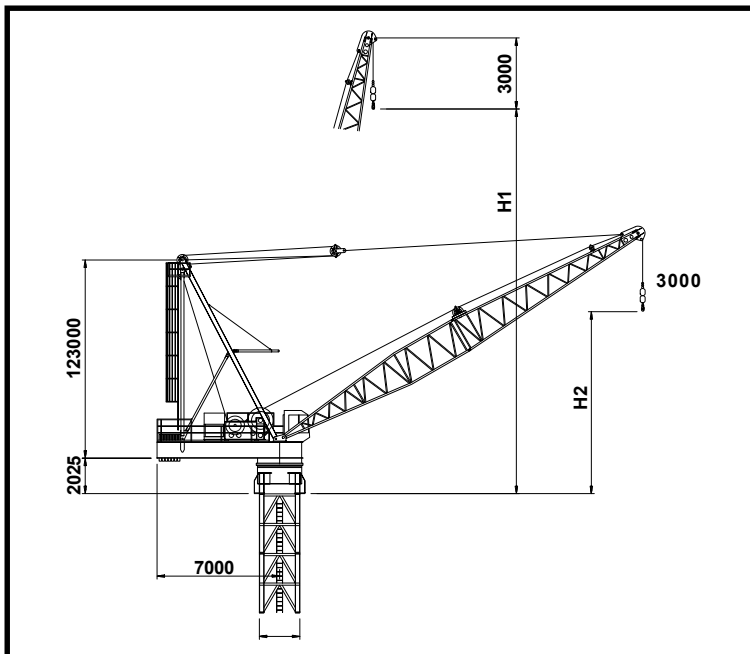
MK380 HOIST SPEED CURVES



MOTION SPEEDS

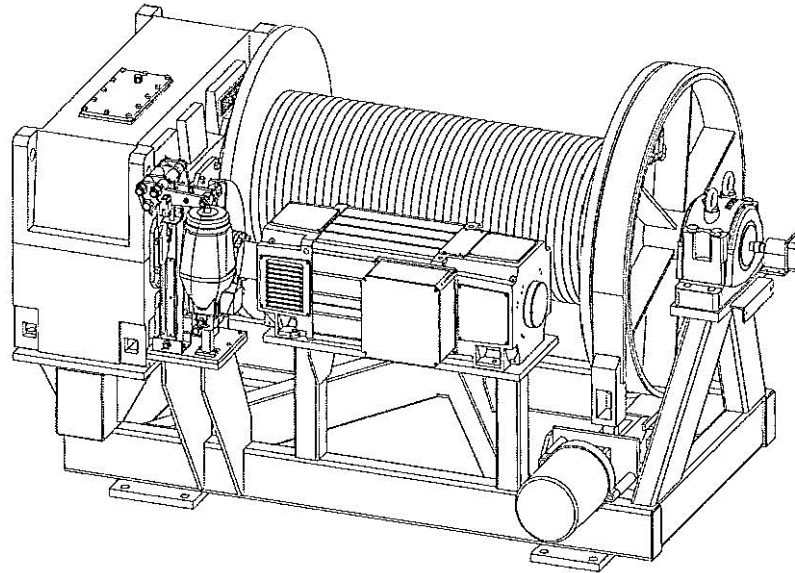


DIMENSIONS

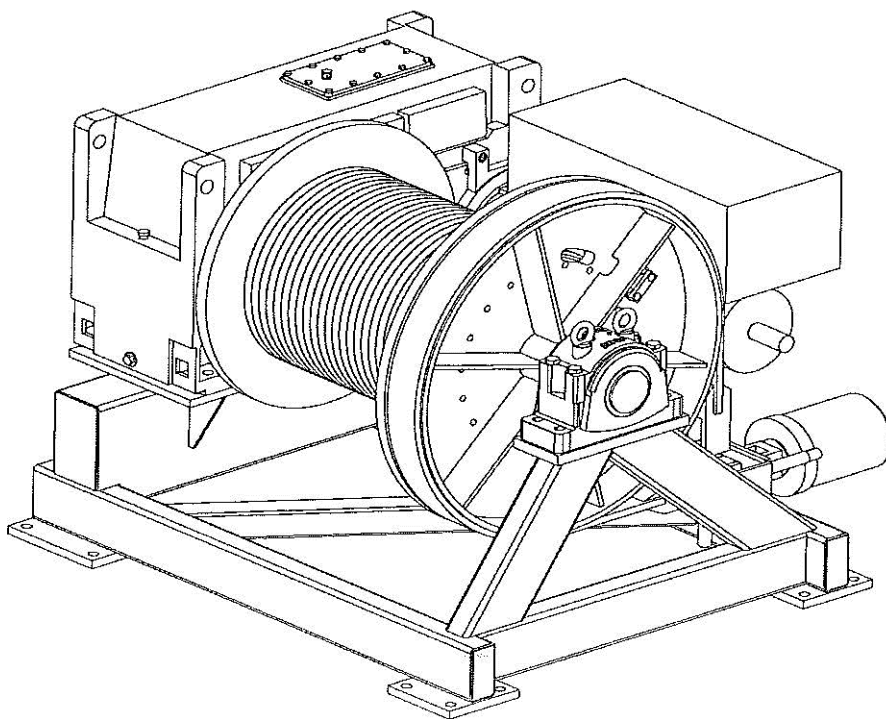


MAXIMUM RADIUS (m)	BOOM LENGTH (m)	HOOK HEIGHT	
		H1 (m)	H2 (m)
62.0	64.2	64.5	18.4
57.0	59.6	59.9	19.0
53.0	55.0	55.4	16.4
48.5	50.4	50.8	15.5
44.0	45.8	46.2	14.5
39.8	41.2	41.6	12.5
35.3	36.6	37.0	11.6
31.0	32.0	32.4	9.9
26.5	27.4	27.8	8.9

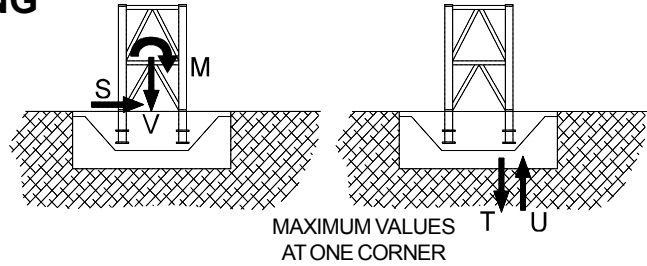
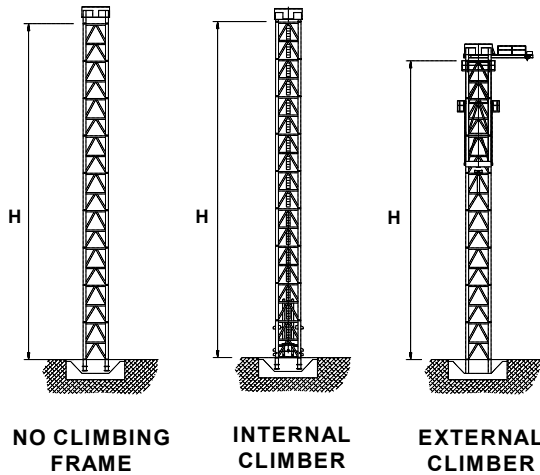
16T HOIST WINCH



16T LUFF WINCH



CRANE ON BASE - FREE STANDING



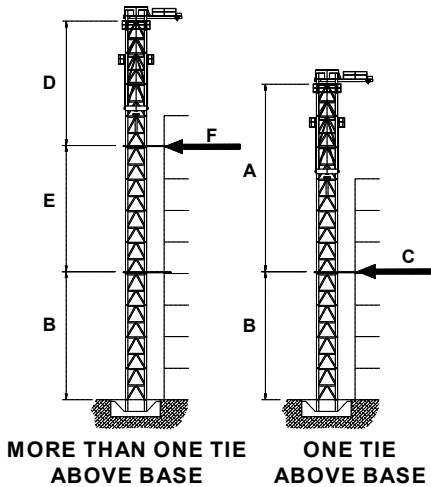
FREESTANDING TOWER HEIGHTS AND FOUNDATION REACTIONS

TOWER	NO CLIMBING FRAME			INTERNAL CLIMBING FRAME			EXTERNAL CLIMBING FRAME			UNITS
	1000	390	391	1000	390	391	1000	390	391	
H	30	36	44	30	36	44	24	32	36	(m)
M	698	849	1063	698	849	1063	668	883	998	(mT)
V	122	128	141	137	143	156	132	140	148	(T)
S	20	23	27	20	23	26	23	27	28	(T)
T	237	315	391	241	319	394	230	330	371	(T)
U	184	259	328	180	255	325	173	268	305	(T)

In-service wind speeds up to 20 m/s & out-of-service wind speeds up to 42 m/s.

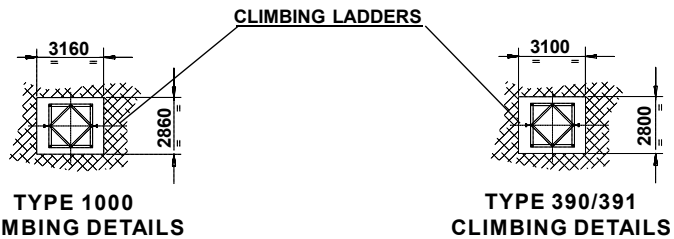
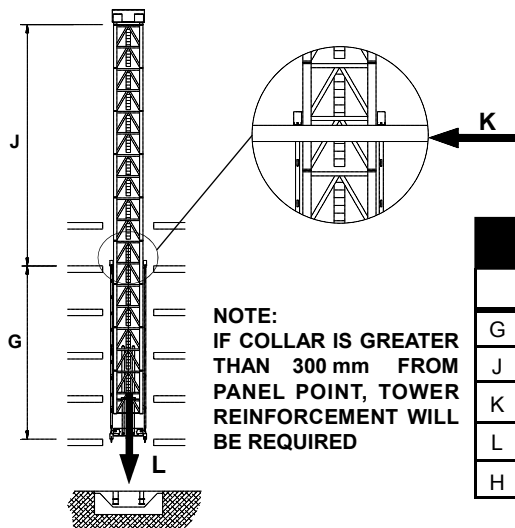
Alternatives available upon request.

EXTERNAL CLIMBING

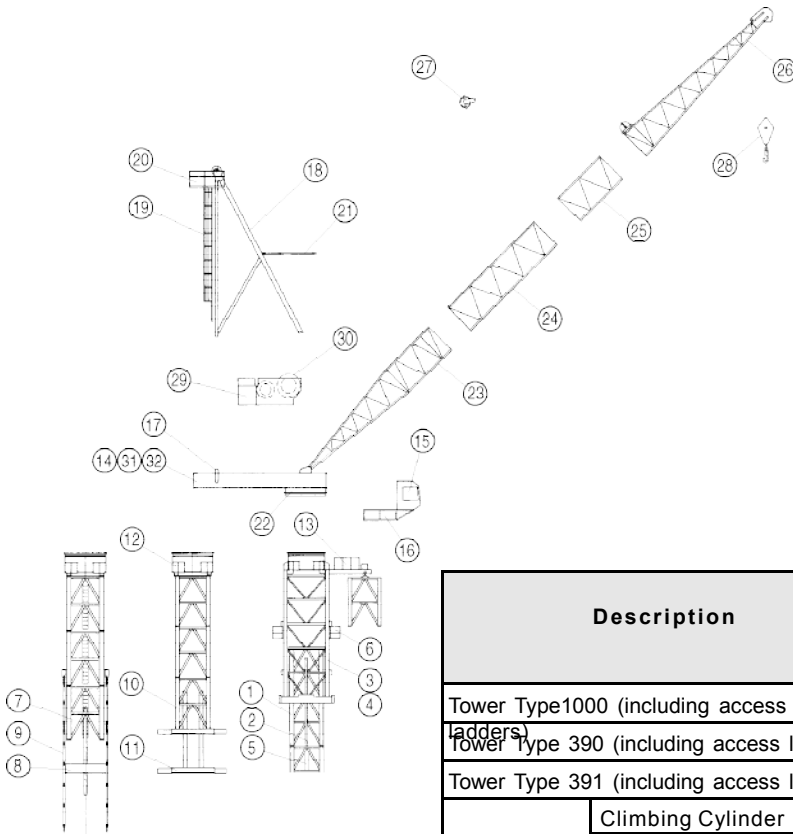


EXTERNAL CLIMBING							
TOWER TYPES:				1000	390	391	UNITS
ONE TIE ABOVE BASE							
A	MAXIMUM HEIGHT ABOVE FIRST TIE			24	28	32	(m)
B	MINIMUM HEIGHT TO FIRST TIE			12	16	20	(m)
C	MAXIMUM HORIZONTAL TIE LOAD			107	99	94	(T)
MORE THAN ONE TIE ABOVE BASE							
D	MAXIMUM HEIGHT ABOVE TOP TIE			24	28	32	(m)
E	MINIMUM HEIGHT BETWEEN TOP TIES			12	16	16	(m)
F	MAXIMUM HORIZONTAL TIE LOAD			94	87	98	(T)

INTERNAL LADDER CLIMBING



INTERNAL LADDER CLIMBING							
TOWER TYPES				1000	390	391	UNITS
G	MIN. HEIGHT BETWEEN COLLARS			9.0	8.5	10.5	(m)
J	MAX. HGT. ABOVE TOP TIE (WITH G)			21.0	27.5	33.5	(m)
K	MAX. HORIZONTAL LOAD (WITH G+J)			75.0	97.0	98.0	(T)
L	TOTAL VERTICAL LOAD (WITH H)			137.0	143.0	156.0	(T)
H	MAXIMUM FREESTANDING HEIGHT			30.0	36.0	44.0	(m)



INTERNAL CLIMBING (LADDER) **INTERNAL CLIMBING (3-BEAM)** **EXTERNAL CLIMBING**

FAVELLE FAVCO

FAVELLE FAVCO CRANES (M) SDN BHD

Lot 42, Persiaran Bunga Tanjung 2,
Senawang Industrial Park,
Seramban, 70450, Negeri Sembilan
Malaysia
Tel: 606 676 8866
Fax: 606 676 8888

FAVELLE FAVCO CRANES PTE LTD

30 Mandai Estate
#02-05 Mandai Industrial Building
Singapore
Tel: 65 6366 3508
Fax: 65 6366 3503

FAVELLE FAVCO CRANES PTY LTD

28 Yarrunga Street Prestons
NSW 2170 Australia
P.O. Box 456 Liverpool BC
NSW 1871 Australia
Telephone: 61 2 9608 2000
Fax: 61 2 9607 0022, 61 2 9607 2728
E - MAIL : favcosyd@favellefavco.com.au

Description		Pos	Qty	L Length (m)	W Width (m)	H Height (m)	Weight per item (kg)
	Tower Type 1000 (including access ladders)	1	-	3.048	2.464	2.464	2400
	Tower Type 390 (including access ladders)	1	-	4.000	2.398	2.395	3500
	Tower Type 391 (including access ladders)	1	-	4.000	2.404	2.397	4070
External Climber	Climbing Cylinder	2	2	5.085	0.292	0.292	1400
	Side Panel	3	2	11.520	0.320	2.424	9200
	Tie	4	2	7.020	0.168	3.410	907
	Climbing Support	5	2	2.600	1.350	0.355	350
	Access Platform	6	1	3.550	1.073	1.235	199
Internal Ladder Climber	Bottom Climbing Tower (inc Cylinders)	7	1	4.000	2.411	2.400	13250
	Climbing Foot	8	1	2.400	0.350	0.710	1025
	Climbing Ladder	9	?	0.260	0.180	7.985	685
3 - Beam Climber	Bottom Climbing Tower	10	1	4.000	2.404	2.397	8500
	Climbing Beams	11	1	2.700	0.450	0.802	1630
	Slew Mount	12	1	3.100	2.876	1.673	4330
	Monorail Beam & Trolley	13	1	6.820	0.660	1.300	1451
	Machinery Deck	14	1	8.450	3.200	1.500	9900
	Cabin	15	1	1.700	1.350	2.150	1000
	Cabin Support	16	1	7.325	1.520	0.100	400
	Counter-weights	17	11	2.030	2.800	0.100	3000
	Mast & Sheaves	18	1	11.000	2.800	0.900	4500
	Mast Ladder	19	1	10.800	0.750	0.900	295
	Mast Platform	20	1	2.580	1.450	0.900	195
	Boom Buffer	21	1	2.296	2.750	0.230	290
	Slew Ring	22	1	2.660	2.660	0.184	1176
	Bottom Jib Section	23	1	13.700	2.880	2.420	1362
	Jib Extension Section	24	1	9.200	2.420	2.420	1200
	Jib Extension Section	25	1	4.600	2.420	2.420	820
	Top Jib Section	26	1	13.700	2.880	2.420	1719
	Bridle	27	1	1.135	0.220	0.890	454
	2 - Fall Hook	28	1	0.890	0.420	1.940	716
	Powerpack Winches	29	1	4.600	2.075	2.400	9515
	Hoist Rope	30	1	400.000	-	-	1800
	Split Deck - Front	31	1	3.000	2.990	1.492	5690
	Split Deck - Back	32	1	5.427	2.990	1.300	6053

Distributed By: