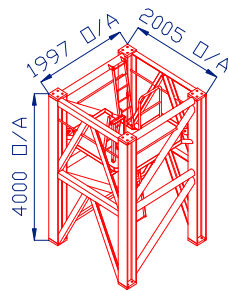
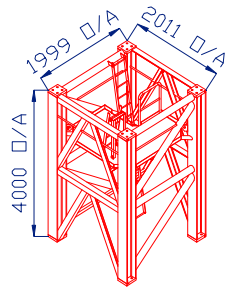


M220DX TOWER CRANE



TOWER TYPE
221



TOWER TYPE
222

TYPICAL LOADS	
LOAD (T)	RADIUS (m)
29.0	15.0
16.0	27.5
10.0	71.6
3.5	55.0

Technical Data Sheet



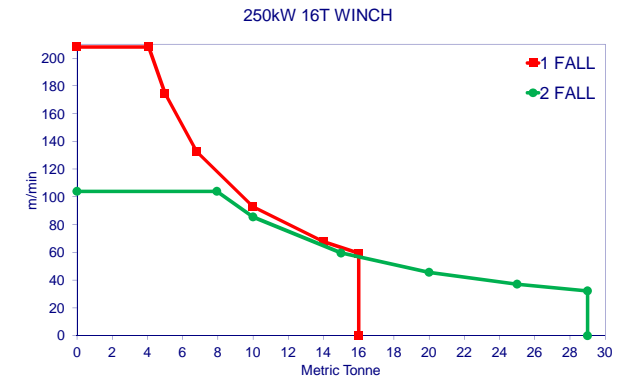
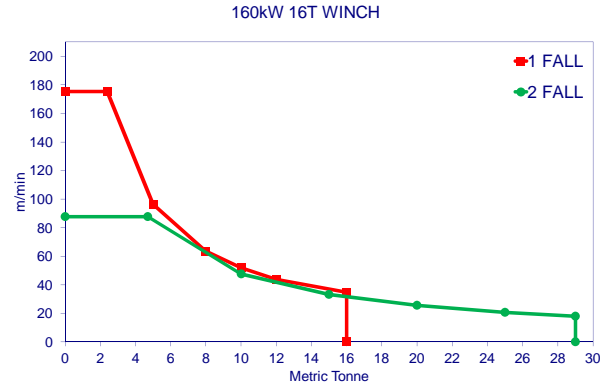
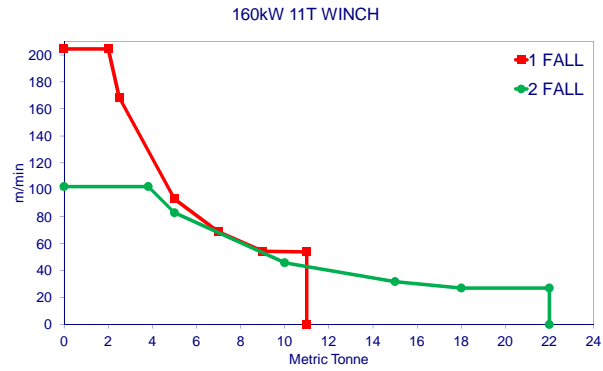
M220DX RADIUS AND CAPACITY



Boom Length	Max Rad. for Max SWL	Min Rad.	SWL at Min Rad.	1 FALL																				Max Rad.	SWL at Max Rad.
				Radius (metres) & Capacity (tonnes)																					
(m)	(m)	(m)	(T)	7.5	10.0	15.0	17.5	20.0	22.5	25.0	27.5	30.0	32.5	35.0	37.5	40.0	42.5	45.0	47.5	50.0	52.5	55.0	57.5	(m)	(T)
61.5	12.5	5.6	16.0	16.0	16.0	14.6	13.5	12.7	12.0	11.2	10.4	9.6	8.8	7.8	7.0	6.3	5.7	5.1	4.7	4.2	3.8	3.4	3.1	60.4	2.5
56.9	20.0	4.9	16.0	16.0	16.0	16.0	16.0	16.0	14.8	12.9	11.3	10.0	9.0	8.0	7.2	6.5	5.9	5.3	4.8	4.4	4.2	3.5	-	56.0	3.4
52.3	20.0	4.9	16.0	16.0	16.0	16.0	16.0	16.0	14.8	12.9	11.3	10.0	9.0	8.0	7.2	6.5	5.9	5.3	4.8	4.4	-	-	-	51.5	4.2
47.7	20.0	4.6	16.0	16.0	16.0	16.0	16.0	16.0	15.1	13.2	11.6	10.3	9.2	8.3	7.5	6.8	6.2	5.6	-	-	-	-	-	47.1	5.2
43.1	20.0	4.3	16.0	16.0	16.0	16.0	16.0	16.0	15.4	13.5	11.9	10.6	9.5	8.6	7.8	7.1	6.4	-	-	-	-	-	-	42.6	6.4
38.5	20.0	4.0	16.0	16.0	16.0	16.0	16.0	16.0	15.6	13.7	12.1	10.8	9.8	8.8	8.0	-	-	-	-	-	-	-	-	38.2	7.8
33.9	20.0	3.6	16.0	16.0	16.0	16.0	16.0	16.0	15.8	13.9	12.4	11.1	10.0	-	-	-	-	-	-	-	-	-	-	33.8	9.6
29.3	22.5	3.3	16.0	16.0	16.0	16.0	16.0	16.0	16.0	14.3	12.7	-	-	-	-	-	-	-	-	-	-	-	-	29.3	11.6

Boom Length	Max Rad. for 25T SWL	Min Rad.	SWL at Min Rad.	2 FALL																				Max Rad.	SWL at Max Rad.
				Radius (metres) & Capacity (tonnes)																					
(m)	(m)	(m)	(T)	7.5	10.0	15.0	17.5	20.0	22.5	25.0	27.5	30.0	32.5	35.0	37.5	40.0	42.5	45.0	47.5	50.0	52.5	55.0	57.5	(m)	(T)
61.5	-	5.5	16.0	16.0	16.0	14.6	13.5	12.7	12.0	11.2	10.4	9.6	8.8	7.8	7.0	6.3	5.7	5.1	4.7	4.2	3.8	3.4	3.1	60.3	2.5
56.9	-	5.1	18.0	18.0	18.0	16.9	15.8	14.7	13.6	12.5	11.4	10.1	9.0	8.1	7.2	6.5	5.9	5.4	4.9	4.4	4.0	3.5	-	55.8	3.4
52.3	-	4.8	20.0	20.0	20.0	20.0	20.0	17.1	14.8	12.9	11.3	10.0	9.0	8.0	7.2	6.5	5.9	5.3	4.8	4.4	-	-	-	51.4	4.2
47.7	15.0	4.5	25.0	25.0	25.0	25.0	22.0	20.1	17.3	15.0	11.6	10.3	9.2	8.3	7.5	6.8	6.2	5.6	-	-	-	-	-	46.9	5.2
43.1	15.0	4.2	26.0	26.0	26.0	26.0	24.1	20.5	17.6	15.3	11.9	10.6	9.5	8.6	7.8	7.1	6.4	-	-	-	-	-	-	42.5	6.4
38.5	15.0	3.8	27.0	27.0	27.0	27.0	24.4	20.8	17.9	15.7	12.1	10.8	9.8	8.8	8.0	-	-	-	-	-	-	-	-	38.1	7.8
33.9	15.0	3.5	28.0	28.0	28.0	28.0	24.7	21.1	18.2	16.0	12.4	11.1	10.0	-	-	-	-	-	-	-	-	-	-	33.6	9.6
29.3	17.5	3.2	29.0	29.0	29.0	29.0	25.0	21.3	18.5	16.2	12.7	-	-	-	-	-	-	-	-	-	-	-	-	29.2	11.6

HOIST SPEEDS



1 FALL	
TONNE	SPEED (m/min)
2.0	204.5
2.5	168.7
5.0	93.1
7.0	68.5
9.0	54.2
11.0	53.9

2 FALLS	
TONNE	SPEED (m/min)
3.8	102.2
5.0	82.8
10.0	45.8
15.0	31.7
18.0	26.9
22.0	26.9

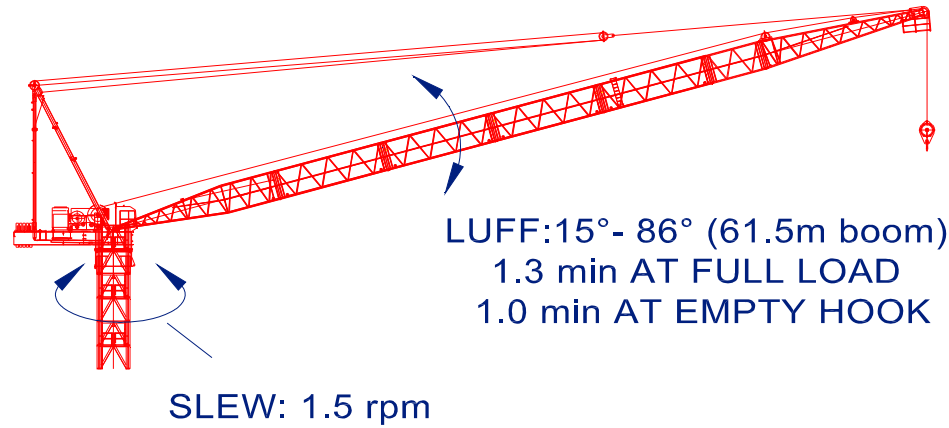
1 FALL	
TONNE	SPEED (m/min)
2.4	175.4
5.0	96.3
8.0	63.5
10.0	51.7
12.0	43.7
16.0	34.7

2 FALLS	
TONNE	SPEED (m/min)
4.7	87.7
10.0	47.6
15.0	33.3
20.0	25.6
25.0	20.8
29.0	18.0

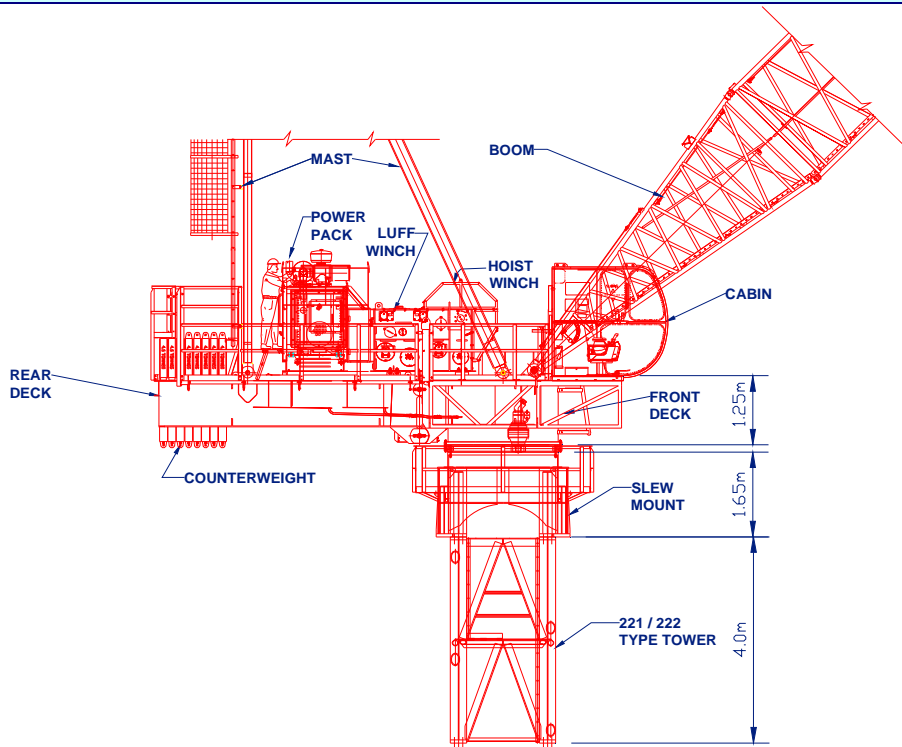
1 FALL	
TONNE	SPEED (m/min)
4.1	208.1
5.0	174.5
6.8	132.6
10.0	93.0
14.0	67.7
16.0	59.6

2 FALLS	
TONNE	SPEED (m/min)
7.9	104.0
10.0	85.5
15.0	59.6
20.0	45.7
25.0	37.1
29.0	32.2

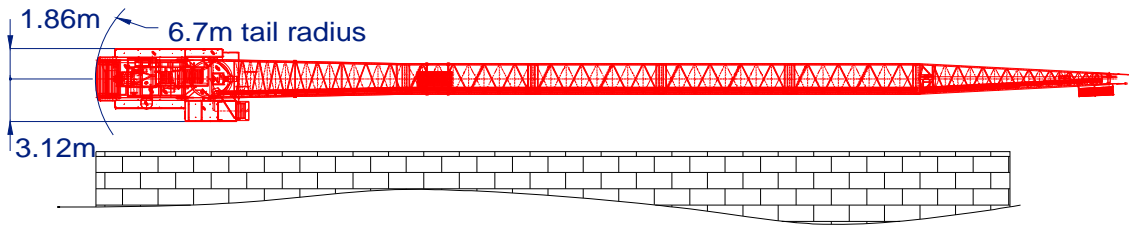
LUFF AND SLEW SPEEDS



MACHINERY DECK ASSEMBLY



EXTERNAL CLIMBING INSTALLATION CLEARANCE



OUT OF SERVICE CONFIGURATION*

Boom Length (m)	RECCOMENDED OUT OF SERVICE PARKED RADIUS	
	Radius (m)	Angle (°)
61.5	19.9	49.9
56.9	23.6	48.1
52.3	20.2	63.7
47.7	18.7	68.4
43.1	17.4	71.8
38.5	16.9	73.2
33.9	16.3	74.5
29.3	15.3	76.6

*:MAX OUT OF SERVICE WIND SPEED = 42 m/s

M220DX COMPONENT DIMENSIONS AND WEIGHTS


ITEM	QTY	DESCRIPTION		LENGTH L (mm)	HEIGHT H (mm)	WIDTH W (mm)	WEIGHT PER ITEM (kg)
1	1	SPLIT DECK-FRONT (INCL. SLEW DRIVE, PINS, PLATFORMS & HANDRAILS)		2895	1566	2384	5197
2	1	SPLIT DECK-REAR (INCL. PLATFORMS & HANDRAILS)		5080	1228	2384	3478
3	1	MAST ASSY (INC. SHEAVES, HEAD PIN, LADDERS,BUFFER)		11164	2133	2334	6227
4	1	CABIN & PLATFORM ASSY		4667	1680	1995	2180
5	1	MAIN HOIST WINCH ASSY (EMPTY DRUM)		2417	1910	2409	5600
6	1	POWER PACK (300HP) AND LUFF ASSY (NO ROPE)		4835	2073	2603	5603
7	1	BOOM BOTTOM 6.4m (INC. WALKWAY&PINS)		6588	2436	2394	1262
8	1	BOOM TOP 9.1m (INC. DEFLECTOR, SHEAVES & PINS)		10218	2436	2436	2203
9	1	BOOM EXTENSION 4.6m		4716	2436	2436	618
10	5	BOOM EXTENSION 9.2m (BRIDLE PLATFORM 203 kg)		9316	2436	2436	1481 (1849)
11	1	BRIDLE		1878	915	1160	593
12	1	SLEW MOUNT (INCL. PLATFORMS 563Kg)		3086	2683	1650	5049
	1	SLEW RING (INCL. BOLTS)		2235	142	2235	1292
		Total					6341
13	6	COUNTER WEIGHT		2062	150	1362	5833
14	1	HOOK - 2/1 FALL (29/16T)		2053	505	1242	940
15	1	TOWER SECTION 221 (INC.LADDER,HAND RAIL,PLATFORM)		2005	1997	4002	3699
16	1	TOWER SECTION 222 (INC.LADDER,HAND RAIL,PLATFORM)		2011	1999	4006	4210
17	1	HOIST ROPE 16T (ø32mm) @ 5.3kg/m		400m			2120
18	1	LUFF ROPE (ø24mm) @ 2.8kg/m		150m			423
19	1	PENDANT ASSY (TO SUIT 61.5m BOOM)		1 SET			294